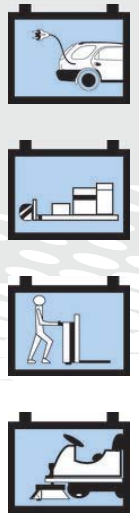


Motive Power block batteries
 AGM – Spiral wound
 AS range



Main technical features and benefits

- VRLA battery with grids in spiral wound design
- Maintenance-free (no topping-up)
- Superior high power performance (discharge and charge acceptance)
- Good high power performance at low temperature
- Well suited for opportunity charging and fast charging
- Excellent micro-cycle durability, especially at partial state of charge
- Vibration resistant
- 450 cycles (C₅) according to IEC 60254-1

Applications

Ideal for the combination of discharge with high currents and fast charge.

AS-batteries are suitable for all applications with a high power demand (discharge currents and charge acceptance) like hybrid drive and automatic guided vehicle systems. Additionally AS-batteries offer excellent micro-cycle durability for applications with high opportunity charge rates, for

example cleaning machines.

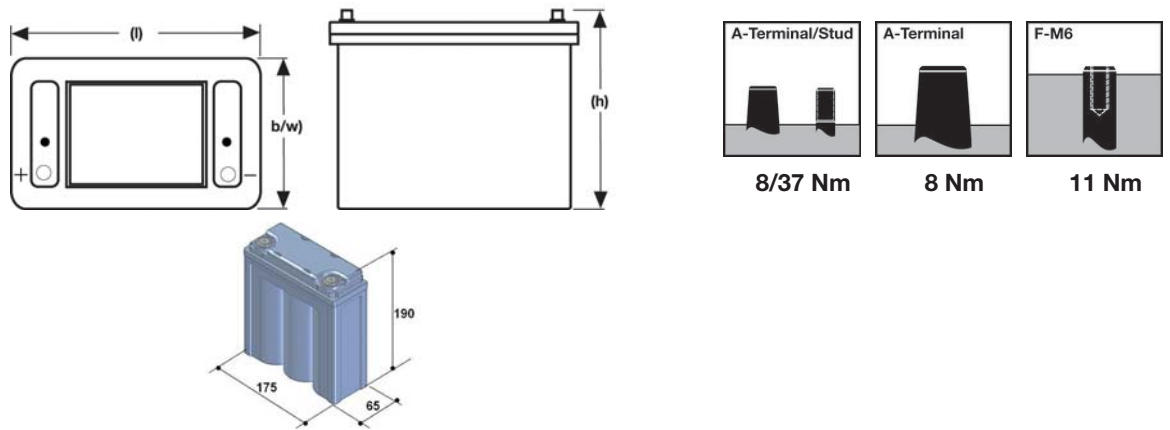
- Automatic guided vehicle systems
- Hybrid drive applications
- Vehicles and machines with a high opportunity charge rate (e.g. cleaning machines)
- Electric go-carts
- Electric floor trucks

VLRA block batteries -
AGM – Spiral wound technology

Technical characteristics and data

Type	Nominal voltage V	Nominal capacity C ₅ (30 °C) Ah	Nominal capacity C ₂₀ (30 °C) Ah	Length (l) max. mm	Width (b/w) max. mm	Height (h) max. mm	Weight kg	Terminal
AS 12 045 R	12	45.0	50.0	260	171	206	18.5	Stud/A-Terminal
AS 12 050 C	12	45.0	50.0	260	170	206	17.5	A-Terminal
AS 06 024 C	6	22.0	24.0	65.0	175	190	4.70	F-M6

Drawings with terminal, terminal position and torque



Upper drawing is equivalent to 12V, lower drawing is equivalent to 6V
Not to scale!

Cyclic endurance

Cycle life test	drysafe RECUP		drysafe RECUP C	
	cycles	capacity turnover	cycles	capacity turnover
75% DOD C ₅	450	–	450	–
17.5% DOD C ₂	5000	900 x C ₂	5300	950 x C ₂
2.5% DOD C ₂	100000	2500 x C ₂	220000	5500 x C ₂

Specifications

